



MSI Evolution : 5000 kg

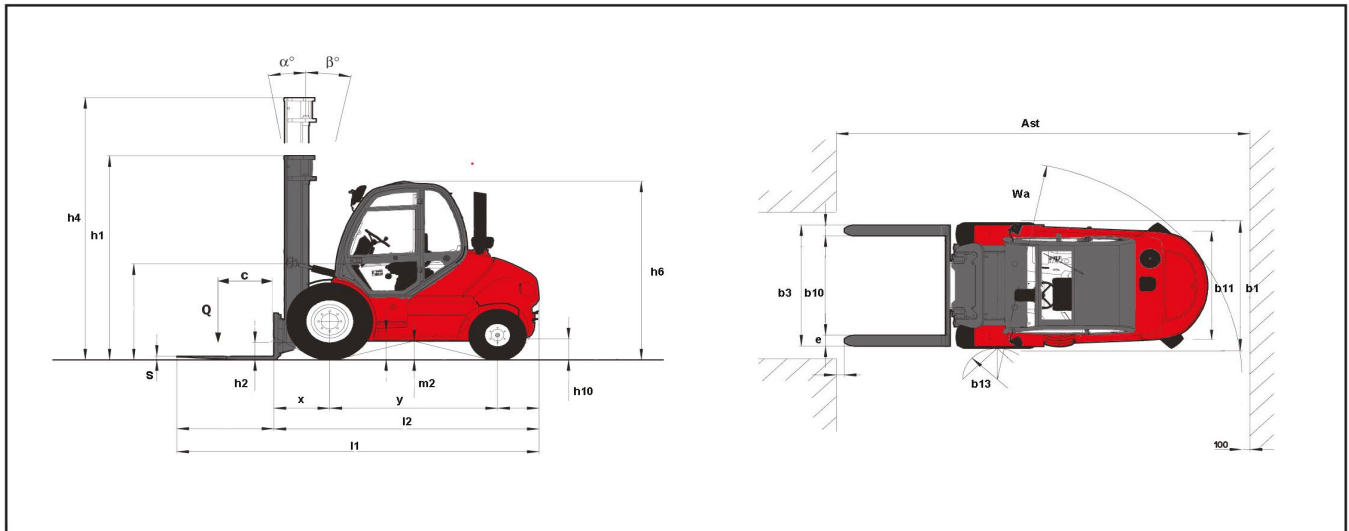
TECHNICAL SPECS

Specifications	1.1	Manufacturer			MANITOU
	1.2	Model			MSI 50 T -
	1.3	Power source			Diesel
	1.4	Driving position			Seated
	1.5	Nominal capacity	Q	t	5
	1.6	Load - centre of gravity	c	mm	600
	1.8	Distance from the load-bearing surface to centre of front axle (1)	x	mm	701
	1.9	Wheelbase	y	mm	2075
	Weight	2.1	Operating weight		kg
2.2		Axle load, with load, front / rear		kg	11467 / 1953
2.3		Axle load, without load, front / rear		kg	3489 / 4931
Tyres, frame	3.1	Tyre equipment: cushion (V), superelastic (SE), pneumatic (L)			L
	3.2	Size of front wheels		" or mm	315/70 R22,5
	3.3	Size of rear wheels		" or mm	225/75 R15
	3.5	Number of front wheels (x = drive wheel) / rear wheels			2x 2
	3.6	Front wheel gauge (middle of wheels)	b10	mm	1420
	3.7	Rear wheel gauge (middle of wheels)	b11	mm	1142
	Dimensions	4.1	Tilt of mast forwards / backwards	α / β	deg
4.2		Height mast lowered	h1	mm	2775
4.3		Free lift	h2	mm	-
4.4		Lift height	h3	mm	3700
4.5		Height mast extended	h4	mm	4672
4.7		Height of overhead guard (cabin)	h6	mm	2440
4.8		Height of seat	h7	mm	1300
4.12		Height of towing bar	h10	mm	540
4.19		Overall length	l1	mm	4584
4.20		Length at fork heels	l2	mm	3384
4.21		Total width (overall)	b1	mm	1732
4.22		Fork dimensions	s / e / l	mm	60 / 150 / 1200
4.23		Fork carriage to DIN 15173 A/B			FEM2A
4.24		Width of fork carriage	b3	mm	1670
4.31		Ground clearance below mast	m1	mm	185
4.32		Ground clearance at centre of wheel-base	m2	mm	225
4.33		Width of aisle for pallet 1000 x 1200 crossways	Ast	mm	5041
4.34		Width of aisle for pallet 800 x 1200 lengthways	Ast	mm	5241
4.35	Turning radius	Wa	mm	2950	
4.36	Inner turning radius	b13	mm	125	
Performances	5.1	Speed of travel laden / unladen		km/h	22 / 22
	5.2	Speed of raise laden / unladen		m/s	0.5 / 0.5
	5.3	Speed of lowering laden / unladen		m/s	0.4 / 0.4
	5.5	Nominal towing power laden / unladen		N	3350 / 2420
	5.7	Gradeability with / without load		%	24 / 26
	5.10	Service brake			Hydraulic
Motors	7.1	Manufacturer / Type of engine			Perkin 1104D-44T
	7.2	Power delivery		kW	55
	7.3	Rated speed		tr/min	2200
	7.4	Number of pistons / Cubic capacity		cm3	4/3400
Miscellaneous	8.1	Power control			Hydraulic
	8.2	Operating pressure for attachments		bar	230
	8.3	Oil flow for attachments		l/min	103
	8.4	Average noise level for the driver (in motion) measured / guaranteed		dB	81

1 - Values with duplex mast



DIMENSIONAL DRAWINGS



MASTS AND RESIDUAL CAPACITIES

MSI 50 T CDG 600 mm			Free Lift Triplex TLL47	
h3*	Lift height	mm	4700	
h1	Height mast lowered	mm	2510	
h2	Free lift	mm	1598	
h4	Height mast extended*	mm	5662	
Residual capacity at max height - c = 600 mm			kg	4600

* Without backrest and Integrated sideshift