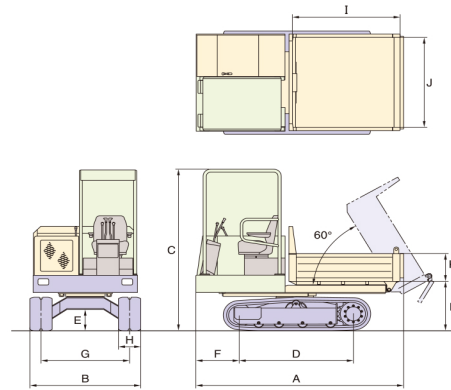




SPECIFICATIONS

MST-200VDR



MODEL		MST-200VDR	
PERFORMANCE			
Maximum Payload	kg (lbs)	2,000 (4,400)	
Loading Capacity(Struck/Heaped)	m ³	0.74/1.05	
Speed1 Low	km/h(mph)	3.0 (1.7)	
Speed2 High	km/h(mph)	5.5 (3.4)	
Ground Pressure(empty)	kPa	21.0	
MACHINE DIMENSION			
Machine Weight	kg (lbs)	2,000 (4,400)	
Overall Length	A	mm (f)	2,850 (9.3)
Overall Width	B	mm (f)	1,500 (4.9)
Overall Height	C	mm (f)	2,340 (7.6)
Wheelbase	D	mm (f)	1,545 (5.0)
Min. Ground Clearance	E	mm (f)	345 (1.1)
Front Overhang	F	mm (f)	630 (2.0)
Crawler Distance	G	mm (f)	1,200 (3.9)
Crawler Width	H	mm	300
Crawler Size		mm	300×72×60
DUMP BODY			
Overall Length	I	mm (f)	1,560 (5.1)
Overall Width	J	mm (f)	1,400 (4.5)
Overall Height	K	mm (f)	400 (1.3)
Ground Clearance	L	mm (f)	685 (2.2)
ENGINE			
Model		KUBOTA V1505 Tier 4 final Stage 4	
Nominal Output/rpm	HP(kw)/rpm	25(18.5)/2,800	
Torque	N·m/min-1	92.6/1,700	
OTHERS			
		CANOPY(ROPS)	
		—	